

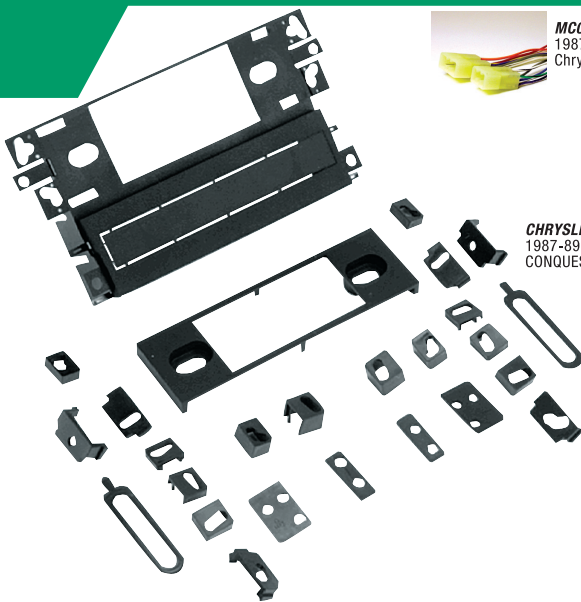
Installation Kits

MI1540B

Mitsubishi Multi-Purpose Kit. Fits 22 vehicles 1984-96.

1984-96

**Mitsubishi, Chrysler
Dodge, Eagle, Plymouth**



MC01B
1987-93 Mitsubishi/
Chrysler Harness.



MI02B
1994-up Mitsubishi/
Dodge Harness.



CHRYSLER
1987-89
CONQUEST

DODGE
1989-92 COLT
1984-86 CONQUEST
1987-93 D50
1987-88 RAIDER
1987-93 RAM 50

EAGLE
1989-92 SUMMIT
1992-96 SUMMIT
WAGON
1990-94 TALON

MITSUBISHI
1990-94 ECLIPSE
1992-95 EXPO-LRV
1989-93 GALANT

MITSUBISHI (Cont'd)
1984-88 GALANT
SIGMA
1987-92 MIGHTY MAX
PICKUP
1989-92 MIRAGE
1989-91 MONTERO
1989-91 SIGMA
1983-89 STARION
1987-91 VAN / WAGON

PLYMOUTH
1987-88 COLT
1992-94 COLT VISTA
1984-86 CONQUEST
1990-94 LASER

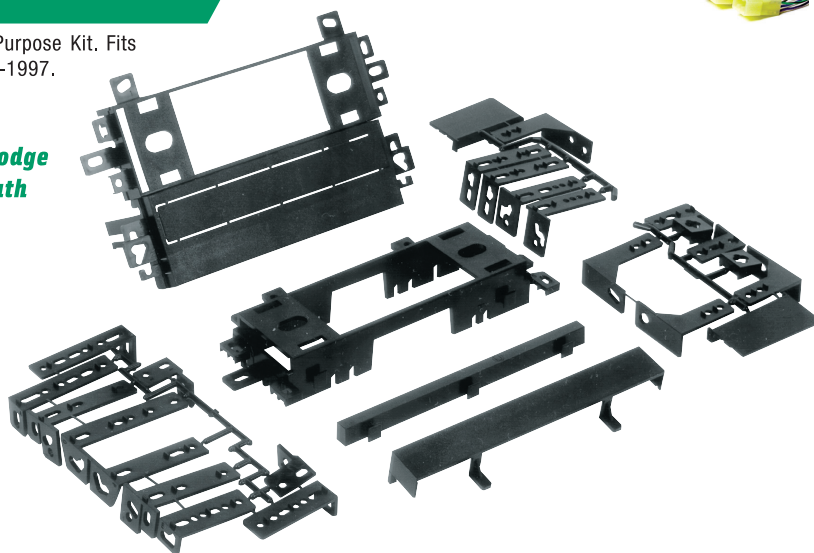


MI2010B

Mitsubishi Multi-Purpose Kit. Fits 13 vehicles 1983-1997.

1983-97

**Mitsubishi, Dodge
Eagle, Plymouth**



MC01B
1987-93 Mitsubishi/
Chrysler Harness.



MI02B
1994-up Mitsubishi/
Dodge Harness.



DODGE
1993-95 COLT
1991-96 STEALTH

EAGLE
1993-96 SUMMIT

MITSUBISHI
1994-98 GALANT
1993-96 MIRAGE
1992-95 MONTERO

PLYMOUTH
1993-94 COLT

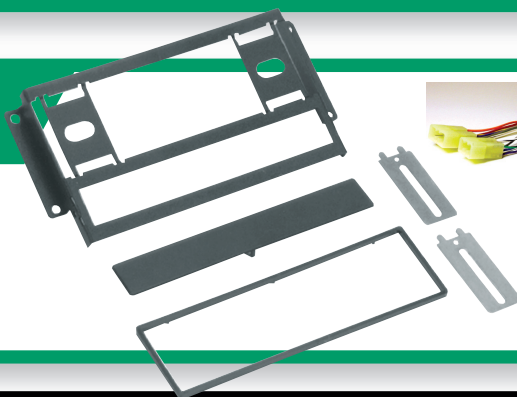


MI3012B

3000 GT Application Specific 3-Way Metal Powder Coated Kit. Fits vehicles 1991-99.

1991-99

Mitsubishi 3000 GT



MC01B
1987-93 Mitsubishi/
Chrysler Harness.



MI02B
1994-up Mitsubishi/
Dodge Harness.



800.363.4490 ext 1

sales hot line

www.scosche.com

SCOSCHE

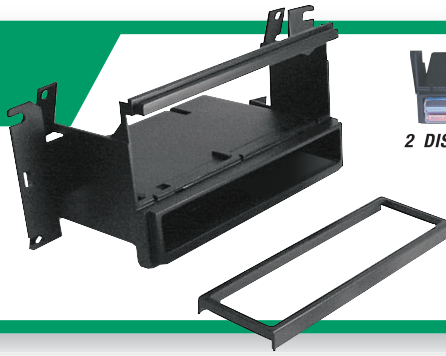
Installation Kits

MITSUBISHI

MI3013B

Mitsubishi Eclipse with 2 CD storage pocket. Fits vehicles 1995-up.

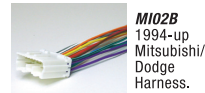
1995-02
Mitsubishi Eclipse



MI3014B

Mitsubishi Endeavor Installation Kit. Fits vehicles 2004-up. (Non-heated seats)

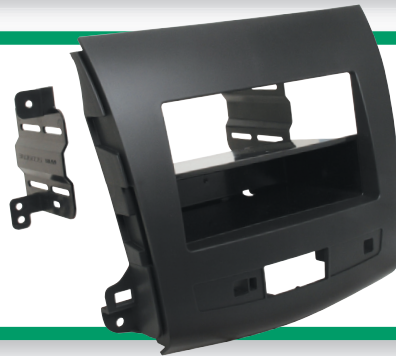
2004-up
Mitsubishi Endeavor



MI3015B

Mitsubishi Outlander DIN with pocket and ISO Double-DIN Installation Kit. Fits vehicles 2007-up.

2007-up
Mitsubishi Outlander



MI3017B

Mitsubishi Eclipse ISO DIN w/Pocket or Double DIN ISO Installation Kit. Fits vehicles 2006-up.

2006-up
Mitsubishi Eclipse



Includes shifter illumination LED



MI3018B

Mitsubishi Galant DIN with pocket and Double DIN Installation Kit. Fits vehicles 2004-up.

2004-up
Mitsubishi Galant



800.621.3695 ext 3

tech support

800.350.0687

fax orders

Installation Kits

MITSUBISHI NISSAN

MI3019B

Mitsubishi Lancer ISO Din with pocket and Double DIN installation Kit. Fits vehicles 2007-up.
Color: Black

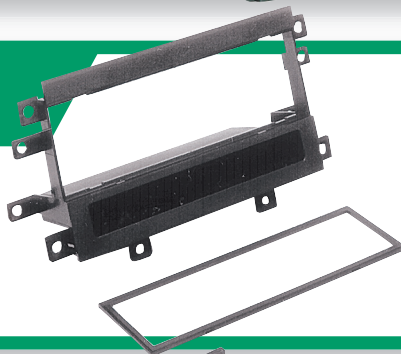
2007-up
Mitsubishi Lancer



GN2200B

Geo/Nissan/Suzuki Kit. Fits select model vehicles 1992-up.

1992-up Geo
Nissan
Suzuki



IM2120B

Isuzu, Honda, and Nissan Kit. Fits vehicles 1998-02.

1998-02
Isuzu, Honda
Nissan



MN1377B

Mercury Villager/Nissan Quest Kit. Fits vehicles 1999-up.

1999-02
Mercury Villager
Nissan Quest



NN1451B

Nissan Armada and Titan Kit [Non-Navigation]. Fits vehicles 2004-05.
*Not for use on 2006 vehicles with LCD screen above heat/AC controls.

FACTORY MATCH COLOR - SILVER

2004-05 Nissan Armada, Titan



Includes Aux Input Cable



800.363.4490 ext 1

www.scosche.com

sales hot line

SCOSCHE®

Installation Kits

NISSAN

NN1453B

Nissan Armada/Titan Double DIN Installation Kit, includes pocket. Fits vehicles 2006-07.

FACTORY MATCH COLOR - SILVER

2006-07

Nissan Armada / Titan



NDAB
Nissan
Diversity
Antenna
Adapter



NN03B
1995-up
Harness.



Includes Aux
Input Cable



NN1456B

Nissan 350Z ISO Double DIN Installation Kit, includes pocket. Fits vehicles 2006-08.

2006-08

Nissan 350Z



NDAB
Nissan
Diversity
Antenna
Adapter



NN03B
1995-up
Harness.



NN1458B

Nissan Versa ISO Installation Kit, includes pocket. Fits vehicles 2007-up.

2007-UP

Nissan Versa



NAA2
Nissan
Versa
Antenna
Adapter



NN03B
1995-up
Harness.



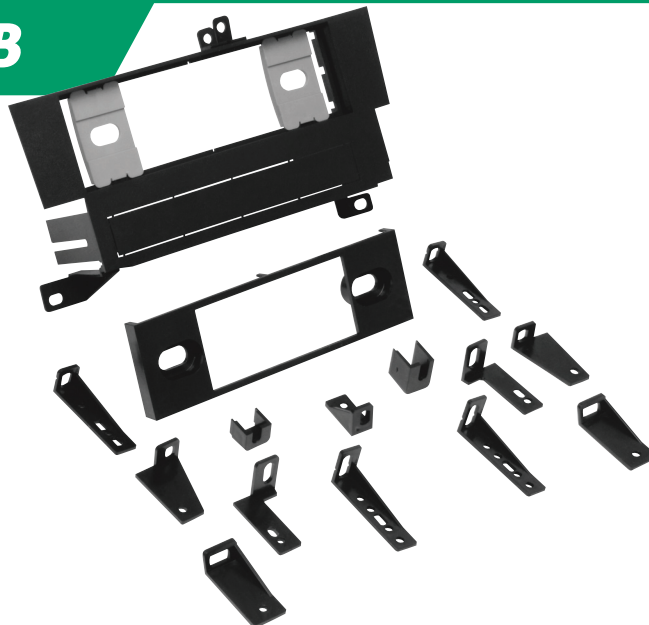
NN1490B

Nissan Multi-Purpose Kit. Fits vehicles 1980-96.

1980-96

Nissan

Infiniti



NN02B
1982-94
Nissan
Harness.



NDAB
Nissan
Diversity
Antenna
Adapter.

INFINITY
1990-93 Q-45

NISSAN
1990-91 AXCESS
1986-93 HARDBODY
(PICKUP)

1987-93 PATHFINDER
1990-91 AXCESS
1986-93 HARDBODY
(PICKUP)

1987-93 PATHFINDER
1987-91 PULSAR
1987-90 SENTRA
(ALL MODELS
EXCEPT
HATCHBACK)

NISSAN (Cont'd)
1982-86 STANZA (SEDAN,
HATCHBACK)
1987-89 STANZA (SEDAN,
HATCHBACK)
1990-93 STANZA (SEDAN)

1980-83 200 SX (SEDAN,
HATCHBACK)
1984-88 200 SX (SEDAN,
HATCHBACK)



800.621.3695 ext 3

tech support

800.350.0687

fax orders

Installation Kits

NISSAN

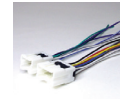
NN1491B

2005-up Nissan Frontier, Pathfinder & Xterra Pocket Installation Kit.

2005-up
Nissan



NDAB
Nissan
Diversity
Antenna
Adapter



NN03B
1995-up
Nissan
Harness.



NN1492B

Nissan Hardbody/Pickup/Pathfinder Kit. Fits vehicles 1986-94.

1986-93 Nissan Hardbody
1987-94 Nissan Pathfinder



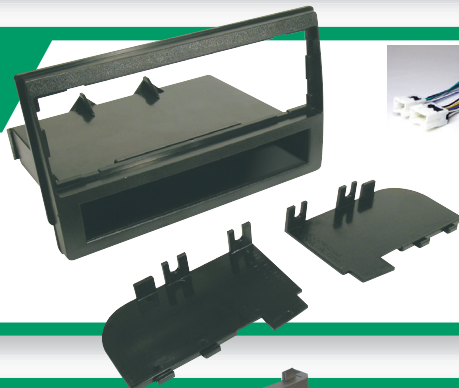
NN02B
1982-94
Nissan
Harness.



NN1493B

2005-06 Nissan Altima Installation Pocket Kit.

2005-06
Nissan Altima



NN03B
1995-up
Nissan
Harness



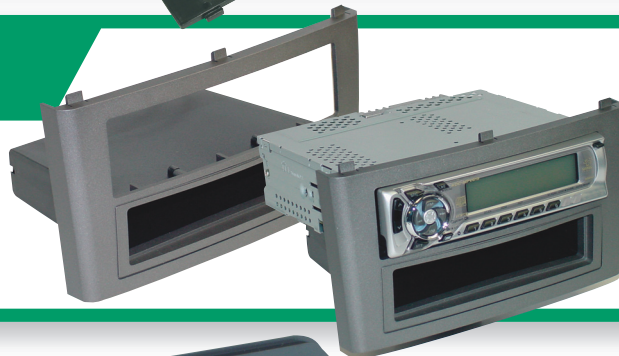
NDAB
Nissan
Diversity
Antenna
Adapter



NN1494B

Nissan Maxima Double ISO Kit. 2 Single DINs or 1 Double DIN. Fits vehicles 2000-03. Color matched.

2000-03
Nissan Maxima



NN03B
1995-up
Nissan
Harness



NDAB
Nissan
Diversity
Antenna
Adapter



NN1496B

Nissan Altima Kit with 2 CD Storage Pocket. Fits vehicles 2002-04.

2002-04
Nissan Altima



NN03B
1995-up
Nissan
Harness.



800.363.4490 ext 1

www.scosche.com

sales hot line

SCOSCHE®

69