

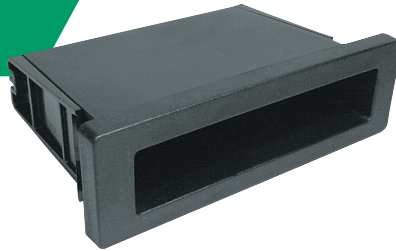
# Installation Kits

**FORD**

## FM2157B

Ford/Mazda Replacement Pocket.  
Fits vehicles 1992-05.

**1992-05**  
**Ford**  
**Mazda**



**FD02B**  
1986-up  
Ford  
Harness.



**FD16B**  
1998-up  
Ford  
Harness.



**MA02B**  
1990-up  
Mazda  
Harness.



**FORD**  
1994-00 MUSTANG  
  
**MAZDA**  
1993-UP 626  
1992-96 929  
1998-05 MIATA

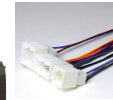
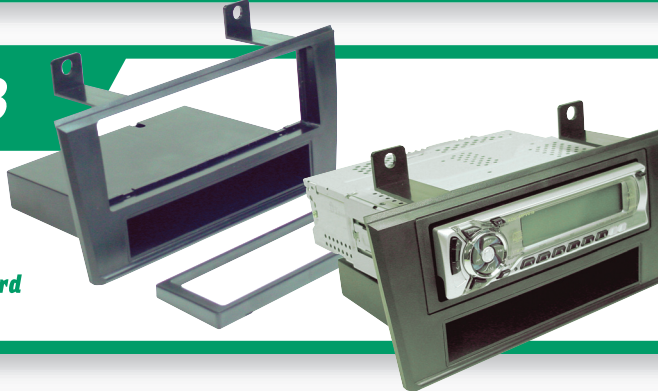
**MAZDA (Cont'd)**  
1995-02 MILLENNIA  
1996-99 MPV  
1992-96 MX3  
1993-97 MX6  
1995-98 PROTEGE'  
1993-96 RX7



## LN1328B

Lincoln LS/Ford Thunderbird  
Kit with 2 CD pocket. Fits  
select vehicles 2000-06.

**2002-05 Ford Thunderbird**  
**2000-06 Lincoln LS**



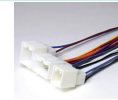
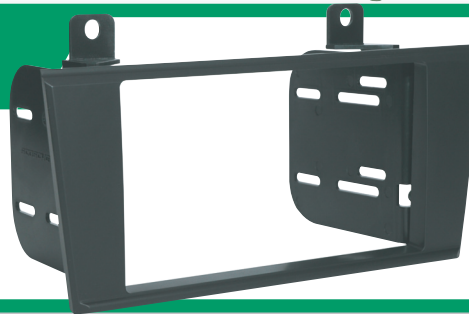
**FDK9B**  
1988-up  
Ford Premium  
head unit  
replacement  
for amplified  
vehicles.



## LN1329B

Lincoln LS double DIN Kit.  
Fits select vehicles 2000-up.

**2000-08 Lincoln LS**  
**2002-05 Ford Thunderbird**



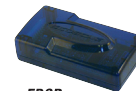
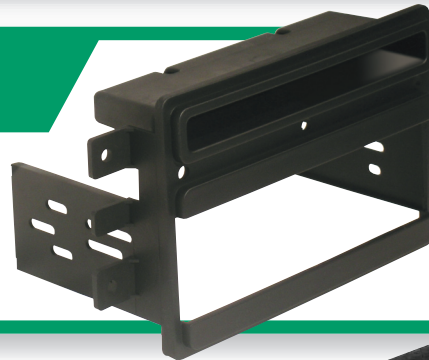
**FDK9B**  
1988-up  
Ford Premium  
head unit  
replacement  
for amplified  
vehicles.



## LN1434B

Lincoln Navigator ISO DIN  
pocket installation Kit. Fits  
select vehicles 2007-up.

**2007-up Lincoln Navigator**  
**(non-navigation radios)**



**FDSR**  
2007-up Ford/Lincoln/  
Mercury Radio  
replacement Interface



**CRAB**  
2002-up  
Chrysler/  
Dodge/Jeep  
Antenna  
Adapter



## MN1377B

Mercury Villager/Nissan Quest Kit. Fits  
vehicles 1999-03.

**1999-03**  
**Mercury Villager**  
**Nissan Quest**



**FD16B**  
1998-up  
Ford  
Harness.



**MERCURY**  
1999-03 Villager  
  
**NISSAN**  
1999-03 Quest



800.363.4490 ext 1

sales hot line

www.scosche.com

**SCOSCHE**

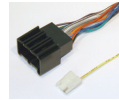
# Installation Kits

GENERAL MOTORS

## GM1452B

Pontiac Sunbird Installation Kit. Fits 1989-94.

**1989-94**  
**Pontiac Sunbird**



**GM01B**  
1978-87  
GM  
Harness.



**GM02B**  
1988-up  
GM  
Harness.



0 3 3 9 9 1 1 9 9 4 8 2 9

## GM1460B

Corsica/Beretta Application Specific Kit. Fits Vehicles with air conditioning 1988-90.

**1988-90**  
**Chevrolet Corsica/Beretta**



**GM02B**  
1988-up  
GM  
Harness.



**MDA-1B**  
Micro/Delco  
Antenna  
Adaptor.

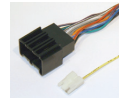
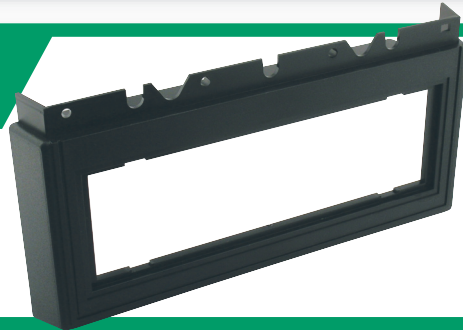


0 3 3 9 9 1 1 1 1 4 6 0 9

## GM1480B

General Motors Impala/Caprice.

**1985-90**  
**Chevrolet**  
**Caprice/Impala**



**GM01B**  
1978-87  
GM  
Harness.

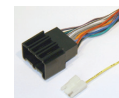


0 3 3 9 9 1 1 9 9 4 2 4 9

## GM1481B

General Motors Full-Size Truck Kit. Fits vehicles 1973-88.

**1973-88 Chevrolet Blazer/  
Pickup/Suburban**  
**GM Pickup/Jimmy/Suburban**



**GM01B**  
1978-87  
GM  
Harness.



**CHEVROLET**  
1973-88 BLAZER  
1973-88 PICKUP  
1973-88 SUBURBAN

**GMC**  
1973-88 JIMMY  
1973-88 PICKUP  
1973-88 SUBURBAN

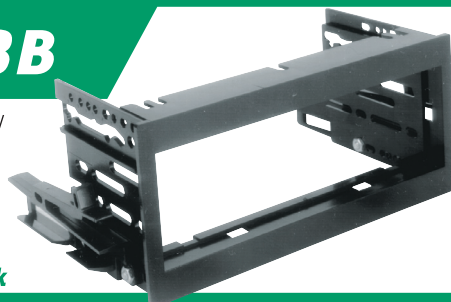


0 3 3 9 9 1 1 9 9 2 2 0 7

## GM1483B

1500 Series Full-Size Truck/ Tahoe/ Yukon/Suburban Application Specific Kit. Fits vehicles 1995-05.

**1995-05 Chevrolet**  
**GMC 1500 Series Truck**



**GM02B**  
1988-up  
GM  
Harness.



**MDA-1B**  
Micro/Delco  
Antenna  
Adaptor.



**CADALLIC**  
1999-02 ESCALADE

**CHEVROLET**  
1996-05 ASTRO VAN  
1995-99 CREW CAB  
1995-98 DUALY PICKUP  
1995-98 FULL SIZE  
1995-98 PICKUP  
1996-05 SAFARI VAN  
1999-02 SIERRA  
1995-99 SUBURBAN  
1995-02 YUKON  
1995-02 SUBURBAN

**GMC**  
1995-99 CREW CAB  
1995-98 DUALY PICKUP  
1995-98 PICKUP  
1995-98 FULL SIZE  
1996-05 SAFARI VAN  
1999-02 SIERRA  
1995-99 SUBURBAN  
1995-02 YUKON  
2000-02 YUKON XL



0 3 3 9 9 1 1 1 1 4 8 3 8

800.621.3695 ext 3

tech support

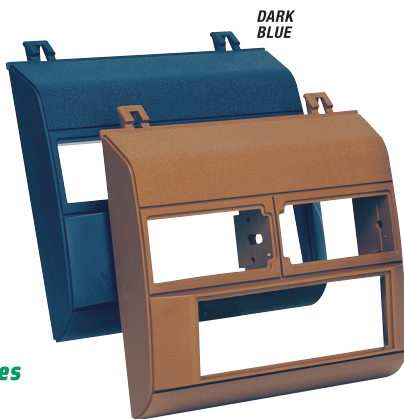
800.350.0687

fax orders

## GM1482B

1500 Series full-size truck application specific kit. Fits vehicles 1988-94.

**1988-94**  
**Chevrolet**  
**GMC**  
**1500 Series**  
**Truck**

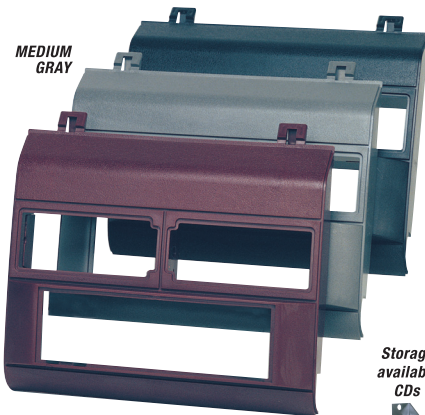


**DARK BLUE**



**MEDIUM BEIGE**

**COGNAC/SADDLE**



**MEDIUM GRAY**

**BLACK**



**GM02B**  
1988-up  
GM  
Harness.



**MDA-1B**  
Micro/Delco  
Antenna  
Adaptor.



**GM1518B**  
Optional  
Storage Pocket  
available. Holds  
CDs & tapes.



6 Colors Available:		UPC Codes:
GM1482B	Black	0-33991-14822-2
GM1482GRB	Garnet Red	0-33991-14825-3
GM1482DBB	Dark Blue	0-33991-14824-6
GM1482MGB	Medium Gray	0-33991-14827-7
GM1482CSB	Cognac/Saddle	0-33991-14823-9
GM1482MBB	Medium Beige	0-33991-14826-0

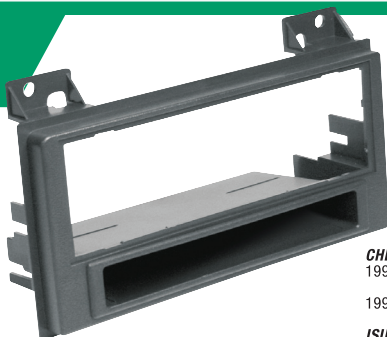
CHEVROLET	GMC
1992-94 BLAZER - FULL SIZE	1992-94 CREW CAB DUALLY PICKUP
1992-94 CREW CAB DUALLY PICKUP	1988-94 PICKUP - FULL SIZE
1988-94 PICKUP - FULL SIZE	1992-94 SUBURBAN
1992-94 SUBURBAN	1992-94 YUKON



## GM1515B

GMC Sonoma/Chevrolet S-10 Pickup Truck Kit. Fits vehicles 1994-97, Chevrolet S-10 Blazer/GMC Jimmy Blazer 1995-97.

**1994-97 Chevrolet S-10**  
**Pickup/GMC Sonoma/Jimmy**



**GM02B**  
1988-up  
GM  
Harness.



**MDA-1B**  
Micro/Delco  
Antenna  
Adaptor.



CHEVROLET	GMC
1995-97 S-10 Blazer 2 DR/4 DR	1995-97 JIMMY BLAZER
1994-97 S-10 PICKUP	1994-97 SONOMA

**ISUZU**  
1996-UP HOMBRE PICKUP

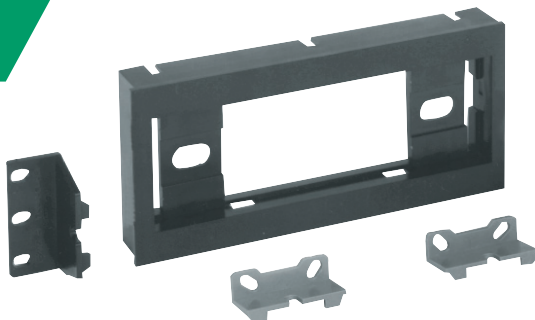
**OLDSMOBILE**  
1996-97 BRAVADA



## GM1516B

Chevrolet Camaro/Pontiac Firebird Application Specific Kit. Fits 1982-02 Chevrolet Camaro, 1982-02 Pontiac Firebird.

**1982-02 Chevrolet Camaro**  
**Pontiac Firebird**



**GM02B**  
1988-up  
GM  
Harness.



**MDA-1B**  
Micro/Delco  
Antenna  
Adaptor.



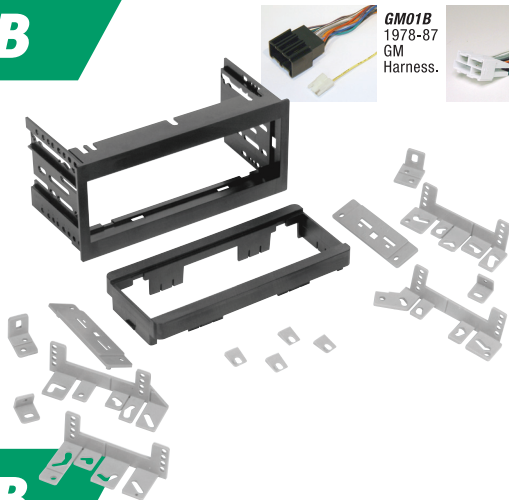
# Installation Kits

GENERAL MOTORS

## GM1500B

General Motors Multi-Purpose Kit with Universal Brackets. Fits over 148 vehicles 1982-up. 1/2" DIN Recess.

**1982-up**  
**Buick, Cadillac**  
**Chevrolet, GMC**  
**Oldsmobile**  
**Pontiac, Saturn**



- BUICK**  
 1982-86 CENTURY  
 1985-90 ELECTRA  
 1986-94 LE SABRE  
 1985-94 PARK AVENUE  
 1984-87 REGAL  
 1985-99 RIVIERA  
 1991-94 ROADMASTER  
 1982-89 SKYHAWK  
 1982-95 SKYLARK  
 1983-85 SKYLARK

- CADILLAC**  
 1982-88 CIMARRON  
 1985-95 DEVILLE  
 1984-91 ELDORADO  
 2002 ESCALADE EXT  
 1999-02 ESCALADE  
 1985-92 FLEETWOOD  
 1984-91 SEVILLE

- CHEVROLET**  
 1985-02 ASTRO  
 2001-02 AVALANCHE  
 1991-96 BERETTA  
 1998-01 BLAZER  
 1989-91 BLAZER FULLSIZE  
 1982-02 CAMARO  
 1991-96 CAPRICE CLASSIC  
 1985.5-90CAVALIER RS, Z-24  
 1982-90 CAVALIER VL  
 1991-99 CAVALIER  
 1982-90 CELEBRITY  
 1985 CITATION  
 1991-96 CORSICA  
 1984-89 CORVETTE  
 \*1995-02 CREW CAB DUALY  
 1989-91 CREW CAB DUALY  
 1986-87 EL CAMINO  
 1996-00 EXPRESS  
 1994-96 IMPALA SS  
 1990-99 LUMINA  
 1990-96 LUMINA APV  
 1997-00 MALIBU  
 1995-99 MONTE CARLO  
 1986-88 MONTE CARLO  
 1985-88 NOVA  
 \*1995-02 PICKUP, FULL SIZE  
 \*1995-02 SUBURBAN  
 1989-91 SUBURBAN  
 1998-01 S-10, BLAZER  
 1982-94 S-10, BLAZER  
 1998-01 S-10, PICKUP  
 1982-93 S-10, PICKUP  
 \*1995-02 TAHOE  
 1988-95 VAN  
 1997-99 VENTURE

- PONTIAC**  
 1982-91 6000  
 1987-99 BONNEVILLE  
 1984-88 FIERO  
 1982-02 FIREBIRD  
 1985-98 GRAND AM  
 1992-99 GRAND PRIX  
 1982-88 J-2000 / 2000  
 1997-99 MONTANA  
 1985-86 PARISIENNE  
 1982-88 SUNBIRD  
 1995-99 SUNFIRE  
 1990-99 TRANS SPORT

- SATURN**  
 1991-94 SC/SL/SL1/SL2

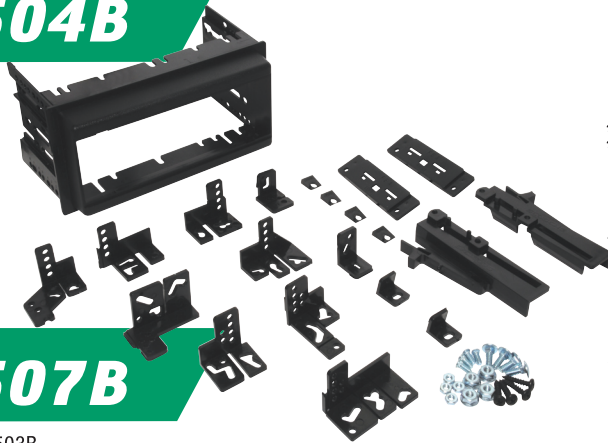


## GM1505B

EQ version of GM1500B.

## GM1504B

General Motors Extended Multi-Purpose Kit with Universal Brackets. Fits over 100 vehicles 1982-05. Molded 7/8" extension.



- GMC**  
 1998-01 ENVOY  
 1989-91 JIMMY, FULL SIZE  
 1995-02 PICKUP, FULL SIZE  
 \*1995-02 PICKUP/CREWCAB/  
 DUALY  
 1989-91 PICKUP/CREWCAB/  
 DUALY  
 1998-01 S-15, JIMMY  
 1982-94 S-15, JIMMY  
 1982-93 S-15, PICKUP  
 1985-03 SAFARI  
 1996-00 SAVANA  
 1998-01 SONOMA  
 1995-99 SUBURBAN  
 1989-91 SUBURBAN  
 1988-95 VAN, FULL SIZE  
 \*2002 YUKON XL  
 \*1995-02 YUKON

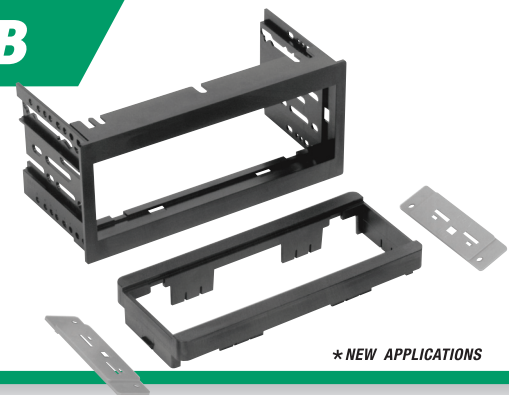


## GM1507B

EQ version of GM1503B.

## GM1502B

General Motors Multi-Purpose Kit without Universal Brackets. Fits over 148 vehicles 1982-up.



\*NEW APPLICATIONS

- ISUZU**  
 1998-00 HOMBRE
- OLDSMOBILE**  
 1992-95 ACHIEVA  
 1991-94 BRAVADA  
 1985-91 CUTLASS CALAIS  
 1982-96 CUTLASS CIERA  
 1989-94 CUTLASS  
 SUPREME  
 1984-88 CUTLASS SUPREME  
 CLASSIC  
 1986-88 DELTA 88  
 1989-93 EIGHTY-EIGHT ROYALE  
 1982-88 FIRENZA  
 1984-93 NINETY-EIGHT  
 OMEGA  
 1990-99 SILHOUETTE  
 1982-89 TORONADO  
 1989-93 TOURING SEDAN



800.621.3695 ext 3

800.350.0687

tech support

fax orders

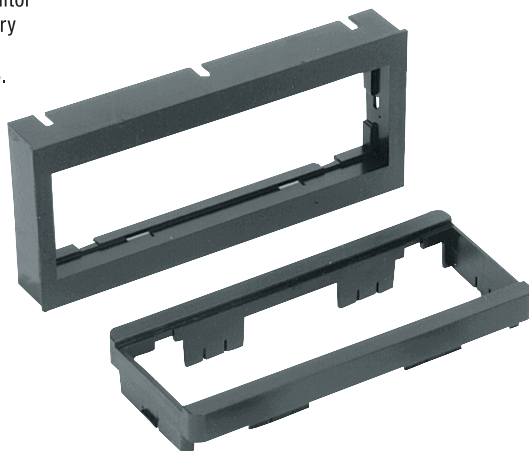
# Installation Kits

GENERAL MOTORS

## GM1508B

General Motors Expedito Kit for use with factory brackets.  
Fits vehicles 1982-96.

**1982-96**  
**Buick**  
**Cadillac**  
**Chevrolet**  
**GMC**  
**Oldsmobile**  
**Pontiac**  
**Saturn**



**GM01B**  
1978-87  
GM  
Harness.



**GM02B**  
1988-up  
GM  
Harness.



**MDA-1B**  
Micro/Delco  
Antenna  
Adaptor.



### BUICK

1982-87 CENTURY  
1984-84 ELECTRA  
1986-91 LE SABRE  
1984-84 PARK AVENUE  
1984-87 REGAL  
1984-85 RIVIERA  
1991-94 ROADMASTER  
1982-87 SKYHAWK  
1983-85 SKYLARK  
1984-87 T-TYPE

### CADILLAC

1982-88 CIMARRON  
1985-87 DEVILLE  
1984-85 ELDORADO  
1985-87 FLEETWOOD  
1984-85 SEVILLE

### CHEVROLET

1985-89 ASTRO  
1991-96 BERETTA  
1989-91 BLAZER  
FULLSIZE  
1982-85 BLAZER S-10  
1991-93 CAPRICE  
CLASSIC

### CHEVROLET (Cont'd)

1982-85 CAVALIER  
1982-90 CELEBRITY  
1985-85 CITATION  
1991-96 CORSICA  
1984-89 CORVETTE  
1989-91 CREWCAB/DUALLY  
1986-87 EL CAMINO  
1990-94 LUMINA  
1990-93 LUMINA APV  
1986-88 MONTE CARLO  
1985-88 NOVA  
1982-85 PICKUP S-10  
1989-91 SUBURBAN  
1988-95 VAN

### GMC

1989-91 JIMMY  
1982-85 JIMMY S-15  
1982-85 PICKUP S-15  
1989-91 PICKUP/CREWCAB/  
DUALLY  
1985-89 SAFARI  
1989-91 SUBURBAN  
1988-95 VAN

### OLDSMOBILE

1987-91 88 ROYALE  
1992-95 ACHEIVA  
1991-94 BRAVADA  
1985-87 CUTLASS CALAIS  
1982-87 CUTLASS CIERA  
1984-88 CUTLASS  
SUPREME  
1985-88 DELTA 88  
1989-93 EIGHTY-EIGHT  
1982-88 FIRENZA  
1984-87 NINETY-EIGHT  
1983-84 OMEGA  
1990-93 SILHOUETTE  
1982-85 TORONADO  
1989-93 TOURING SEDAN

### PONTIAC

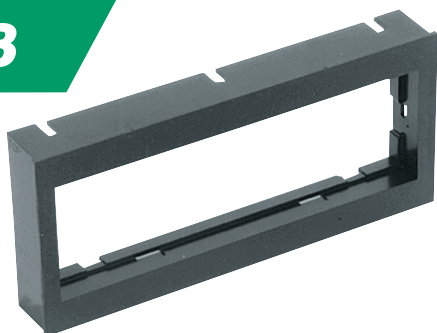
1982-89 6000  
1987-91 BONNEVILLE  
1993-99 FIREBIRD  
1984-88 FIERO  
1985-87 GRAND AM  
1992-93 GRAND PRIX  
1982-83 J-2000 / 2000  
1984-88 SUNBIRD  
1990-93 TRANS SPORT

### SATURN

1991-94 SC/SL/SW  
1991-94 SC2/SL2/SW2

## GM1509B

General Motors Expedito Kit for use with factory brackets.  
Fits vehicles 1982-96.



## GM FACTORY BRACKETS

These brackets mount to the factory mounting positions on all Scosche GM1500 series General Motors kits. Designed from original General Motors brackets, these brackets are an exact fit to the designated vehicle.



**BRACKETS ARE SOLD 3 SETS PER PACK.**

BRACKET	APPLICATION	UPC
2001870B	1988-95 CHEVY FULL SIZE VAN	033991-01870-0
2001870TB	1986-93 CHEVY S-10/GMC S-15 PICKUP AND 1986-94 BLAZER/JIMMY	033991-01871-6
2001930B	1985-89 CHEVY ASTRO/GMC SAFARI	033991-01930-0
2001935B	1991-94 CHEVY CAVALIER	033991-01935-5
2001936B	1990-95 CHEVY ASTRO/GMC SAFARI	033991-01936-2
2001938B	1991-95 CHEVY CORSICA/BERETTA	033991-01938-6
2001961B	1982-85 GMC S-15 PICKUP/JIMMY, AND CHEVY S-10/BLAZER	033991-01961-4
2001968B	1982-92 PONTIAC FIREBIRD/CHEVROLET CAMARO	033991-00968-4
2002171B	1995-Up CHEVY/GMC FULL SIZE TRUCK/TAHOE/YUKON/SUBURBAN	033991-99718-9
2002359B	1994-96 CAPRICE/IMPALA 1995-Up CAVALIER/LUMINA/MONTE CARLO 1997-Up CAMARO/MALIBU/VENTURE 1998 S10/S10 BLAZER 1997-Up TRANS SPORT	033991-99890-2
2002360B	1992-Up BONNEVILLE GRAND PRIX 1995-Up SUNFIRE 1996-Up GRAND AM	033991-00659-1

800.363.4490 ext 1

www.scosche.com

sales hot line

SCOSCHE®

29